



**REGISTRATION FORM for
Eurojack European Championship 2/2025
Czech Republic – Jihlava 24. and 25. May 2025**

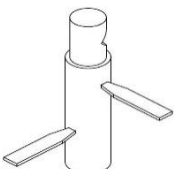
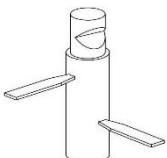
One registration form has to be completed by each competitor (also valid for the current top 10 men and top 2 women of the Eurojack 2025 series!!!)

First name: _____ **Last name:** _____
Date of birth: _____ **Address:** _____
City/Town: _____ **Zip code:** _____
Country: _____ **Telephone:** _____
Email: _____ **Profession:** _____

Hobbies or other interesting fact that will help the moderator of the show?:

.....
.....

Springboard with 2 boards:

<input type="checkbox"/> RIGHT 	<input type="checkbox"/> LEFT 
---	--

Participation in the **CLIMBING** (10 m) competition:

- ♀ **Women** competition (only up to the bell)
 - 1st round Saturday 24/5/2025 after the Eurojack Qualification
 - 2nd round Sunday 25/5/2025 after the Eurojack Final

YES NO
- ♂ **Men** competition (up and down) – Saturday 24/5/2025 after the Eurojack Qualification

YES NO

Participation in the **“JACK & JILL”** competition on Saturday 24/5/2025 after the Eurojack Qualification:

YES NO

Name of “Jack&Jill” partner:.....

The “JACK & JILL” competition is limited to 10 couples.

I am only registering for the supplementary climbing competitions, (not the Eurojack Qualification race and/or Final race):

YES NO

Sportsmen meeting, handing out of start numbers and wood numbers:

Saturday 24 May 2025 at 10:00 hrs. (competition starts at 12:00 hrs.)

Sunday 25 May 2025 at 09:30 hrs. (competition starts at 12:00 hrs.)

Automatic finalists, i.e. the **current top 10 sportsmen and top 2 sportswomen** registered for the Sunday final **must report at the competition office on Saturday 24 May 2025 by 18:00 hrs. latest.** Telephone nr. for the competition office is +420 777 657 299.

The limit for the number of competitors in the men's qualification is 36.

The limit for the number of competitors in the women's qualification is 9.

Preference is given to competitors who participated in the Eurojack race in Langschlag, Austria in April 2025.

The Sunday final competition for men is for 18 participants.

The Sunday final competition for women is for 5 participants.

The participation occurs to the international Eurojack regulations and at your own risk.

For further information (disciplines, detailed program, etc) see the program or watch news on www.eurojack.cz

In accordance with the Regulation (EU) 2016/679 of the European Parliament and of the Council on the protection of natural persons with regard to the processing of personal data and on the free movement of such data (General Data Protection Regulation - hereinafter referred to as the "GDPR" and Act No. 110/2019 Coll., on the processing of personal data, I hereby grant my consent to the processing of the above personal data for the purpose of keeping lists and records necessary to carry out activities related to the Eurojack race.

Furthermore, by signing this entry form, I give my consent to the possible use of photo and video documentation from the race in the media, on the Eurojack.cz website and on social networks.

Please send the **filled in and signed registration** form to: silova@eurojack.cz

Registration deadline is 9 May 2025!!!

Signature:

Disciplines for the Qualification (men + women) on Saturday 24.5.2025:

- Single Buck
- Flying discs (20)
- Underhand Chop
 - o Men Ø 30cm
 - o Women Ø 27cm

Disciplines for the Finals on Sunday 25.5.2025:

Men:

- Underhand Chop
- Flying discs (20)
- Single Buck
- Tree toping (10m)
- Power saw
- Springboard (2 boards)

Women:

- Underhand Chop (27cm Ø)
- Flying discs (20)
- Single Buck
- Axe Throwing